

ALPHASERVER DS10 RACKMOUNT GUIDE

Overview

- Rackmount Guidelines
- Unpack Rackmount Box
- Determine Base Zero
- Mark and Prepare the Rails
- Install the Rails
- Attach the Rackmount Ears
- Insert and Secure the System
- Check Power and Secure Cables
- For More Information



WARNING: To prevent injury, access is limited to persons who have appropriate technical training and experience. Such persons are expected to understand the hazards of working within this equipment and take measures to minimize danger to themselves or others.

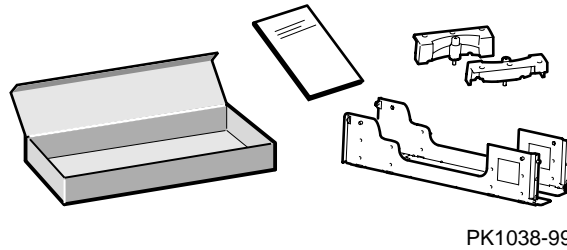
Rackmount Guidelines.

- A maximum of six systems per each power controller unit in a rackmount cabinet.

Unpack Rackmount Box

The rackmount box is one of three long boxes found in the system's shipping carton (see Figure 1). It contains these instructions, two rails, U-clips and screws, and two rackmount ears for securing the system in the rack.

Figure 1 Unpacking the Rackmount Kit



PK1038-99

Determine Base Zero

Decide the relative position of the system in the rack. Base zero is where the bottom of the system will be when installed in the rack.

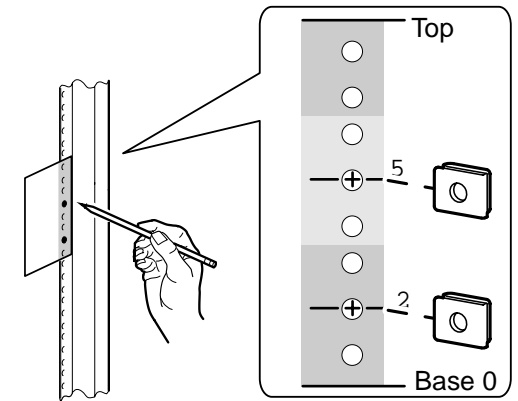
If your system is the first system in the rack, then base zero is between the 6th and 7th hole up from the floor of the rackmount cabinet. This distance allows the system to clear the power controllers and provide space for cable management.

If you are adding your system to a rack already populated, then base zero is the top of the system underneath the system to be installed. This system needs a clearance of 9 holes to accommodate the system height.

Mark and Prepare the Rails

- Using the template on the back of this card (
- Figure 9) mark holes 2 and 5 on an interior rail, and base zero (see Figure 2).

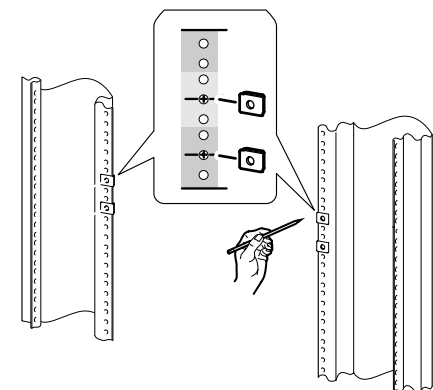
Figure 2 Using the Template



PK1033-99

- Mark all four of the inner rails (see Figure 3).
- **If you are installing more than one AlphaServer DS10 in the rack at the same time:** using the template, mark the top of the first system you are installing. Use this as base zero for the second system, move the template up, mark holes 2 and 5, and the top of this system, until you have marked holes for all of systems you are installing.
- Insert a U-clip at each hole you have marked.

Figure 3 Marking Inner Rails



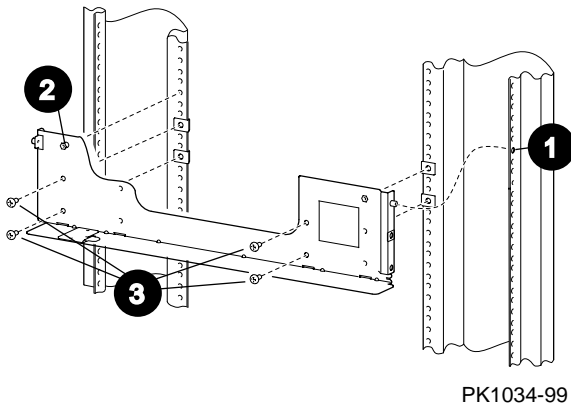
PK1033a-99

Install the Rails

There are two threaded guide pins on the rails: one on the front of each rail, and one on each rear side. In case the holes in your rackmount cabinet require smaller guide pins, a second set of smaller pins has been included in the kit. Replace the pins if necessary.

- Insert the front guide pin, aligning the screw hole to the front C-clip. See Figure 4, ❶. Push the rail in.
- Insert the rear guide pin into the side rail, aligning the screw holes to the rear U-clips. Push the rail in toward the side of the rackmount cabinet (see ❷).
- Secure with four screws. See ❸.

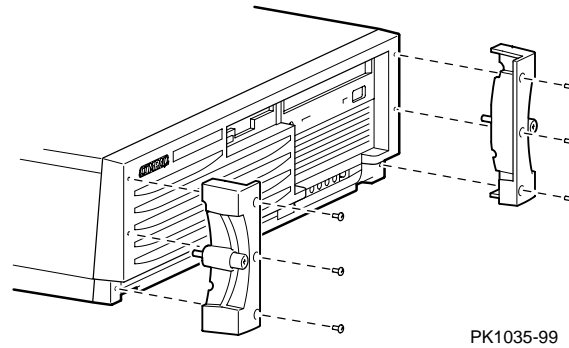
Figure 4 Installing the Rails



Attach the Rackmount Ears

- Align the three vertical holes located on the front edge of the system with the three holes on the rackmount ears (see Figure 5).
- Using a Phillips screwdriver, screw the ears onto the system, finger tight. Do not apply excessive force.

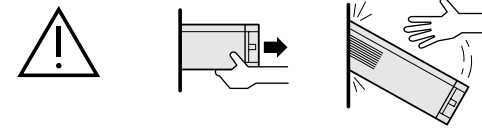
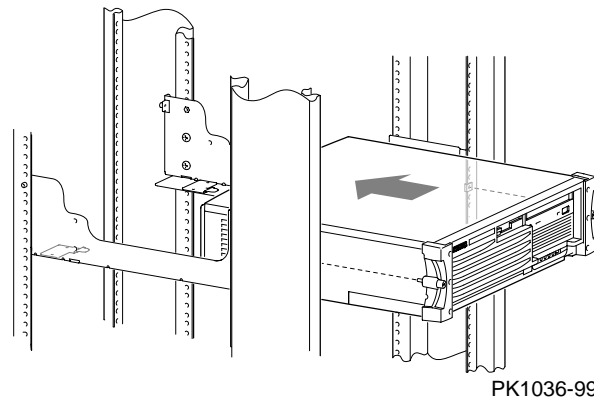
Figure 5 Attaching the Rackmount Ears



Insert and Secure the System

- Using both hands, place the system onto the rails and push it back into the cabinet (see Figure 6).
- Align the holes in the bulkhead with the prongs on the rails (see Figure 7).
- Push the system back in to the rack.
- Secure the system by tightening the captive screws on the rackmount ears on the front of the system.

Figure 6 Inserting the System



Caution: During removal, system box not tethered.

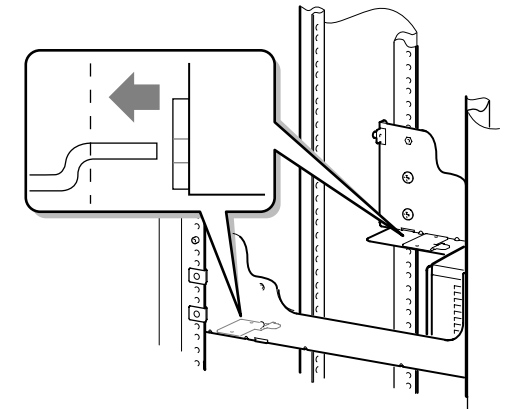
Attention: Pendant le déplacement, le boîtier système n'est pas fixé.

Precaución: Durante el traslado, no debe atarse la caja del sistema.

Achtung: Beim Entfernen ist das Systemgehäuse nicht gesichert.

PK1037-99

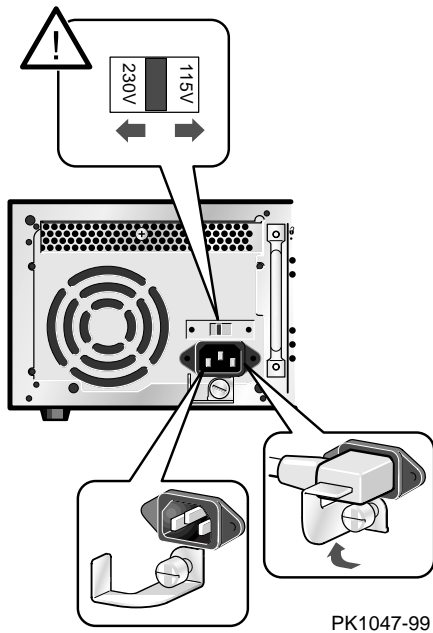
Figure 7 Aligning the System on the Rails



Check Power and Secure Cables

- Select the correct power setting (see Figure 8).
- Connect the power cord.
- Turn the power cord latch clockwise to secure the power cord.
- Tighten the latch with a screwdriver.
- Route the power cord over the back of the rail, into the rackmount cabinet side area.
- Continue cabling (see AlphaServer DS10 Quick Setup poster). When all cabling is complete, connect power cord to the power controller unit.

Figure 8 Securing Power



After securing the power cord with the safety latch, route the power cords over the rails and into the side of the cabinet.

For More Information

- *H9A10-M-Series Cabinet, Illustrated Parts Breakdown (EK-H9A10-IP)*
- *H9A15 M-Series Cabinet Illustrated Parts Breakdown (EK-H9A15-IP)*
- Printset *H9A10 M-Series Cabinet AlphaServer Systems Rack Mount Configurations (B-IB-H9A10-5-DBM)*
- Printset *H9A15 M-Series Cabinet AlphaServer Systems Rack Mount Configurations (B-IB-H9A15-3-DB)*

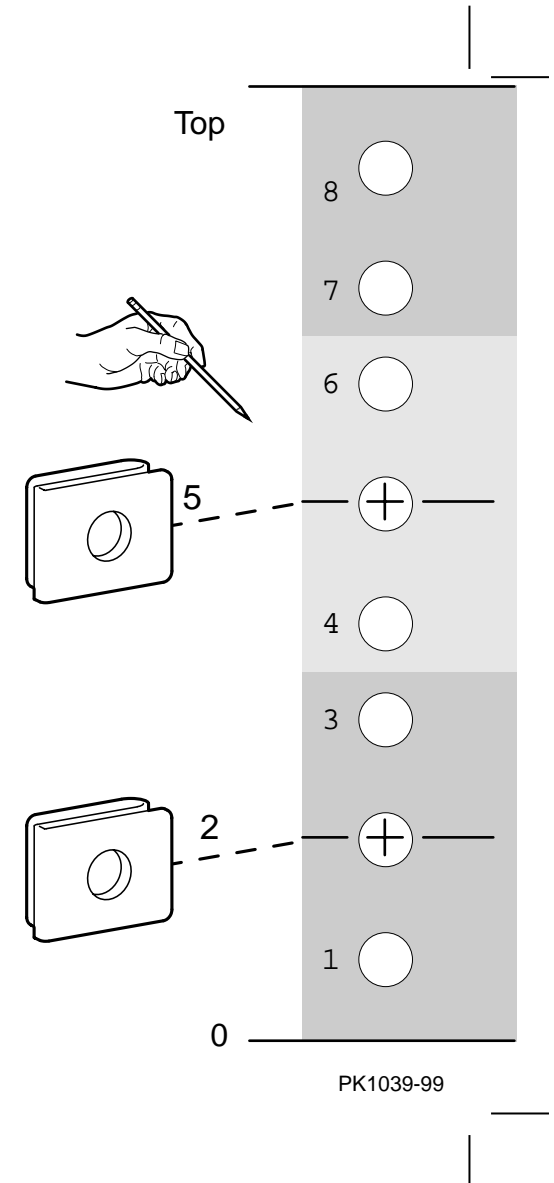


Figure 9 Template for Side Rails